

THT-56-4T-1



Long cased axial fans, 400°C/2h. THT/ATEX: Long-cased axial fans, 400°C/2h, with ATEX certification

• Manufacturing features:



Long-cased axial fans with short housing to work inside fire danger zones, 400°C/2h. THT/ATEX: Long-cased axial fans with short housing to work inside fire danger zones, 400°C/2h, with ATEX certification, category 3 Ex II3G. In accordance with Spanish Low Voltage Regulation ITC 29 ATEX for Zone 2 rated car parks.

Motor:

- Class H motors, ongoing use S1 and emergency use S2, with ball bearings, IP55 protection, and one- or two- speed depending on the model.
- Three-phase 230/400V.-50Hz. (up to 4CV.) and 400/690V.-50Hz. (power over 4CV.)
- Max. airflow temperature: S1 Service -20°C+ 40°C for ongoing use, S2 Service 400°C/2h

Finish:

Anticorrosive finish in polyester resin, polymerised at 190°C, after alkaline degreasing and phosphate-free pre-treatment.

On Demand:

- Long-cased fans with inspection hatch
- Fans with motor 200°C/2h
- 100% reversible impellers.



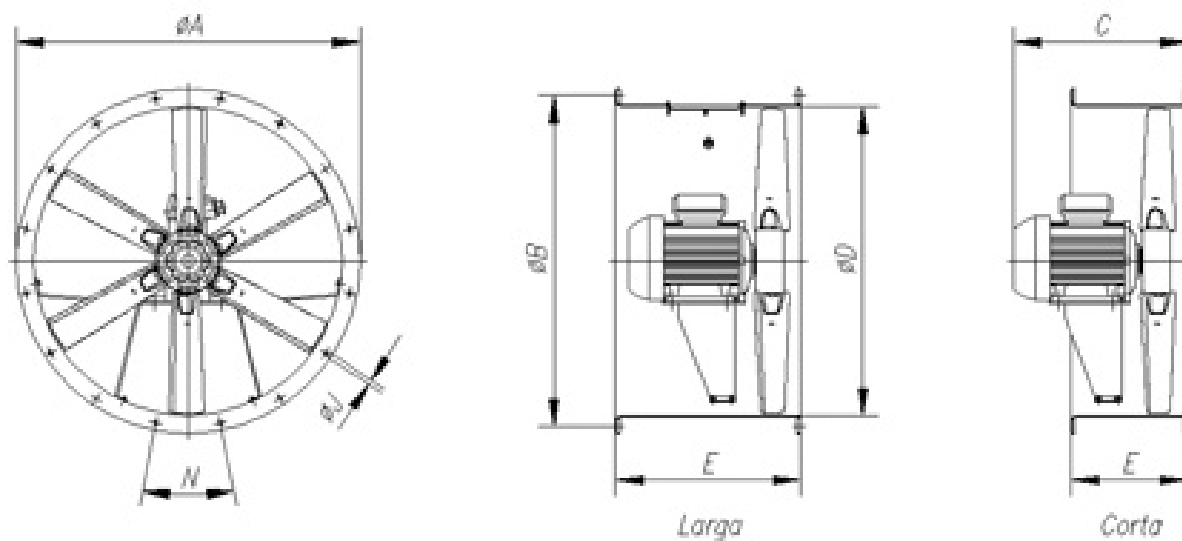
• Technical specifications:

R.P.M.	I _{max} 230 V(A)	I _{max} 400 V(A)	I _{max} 690 V(A)	Power (Kw)	Airflow (m ³ /h)	NPS dB(A)	Weight (Kg)
1430	3.5	2.0	0.0	0.75	12900	73	45.1

THT-56-4T-1



• Dimensions in mm:

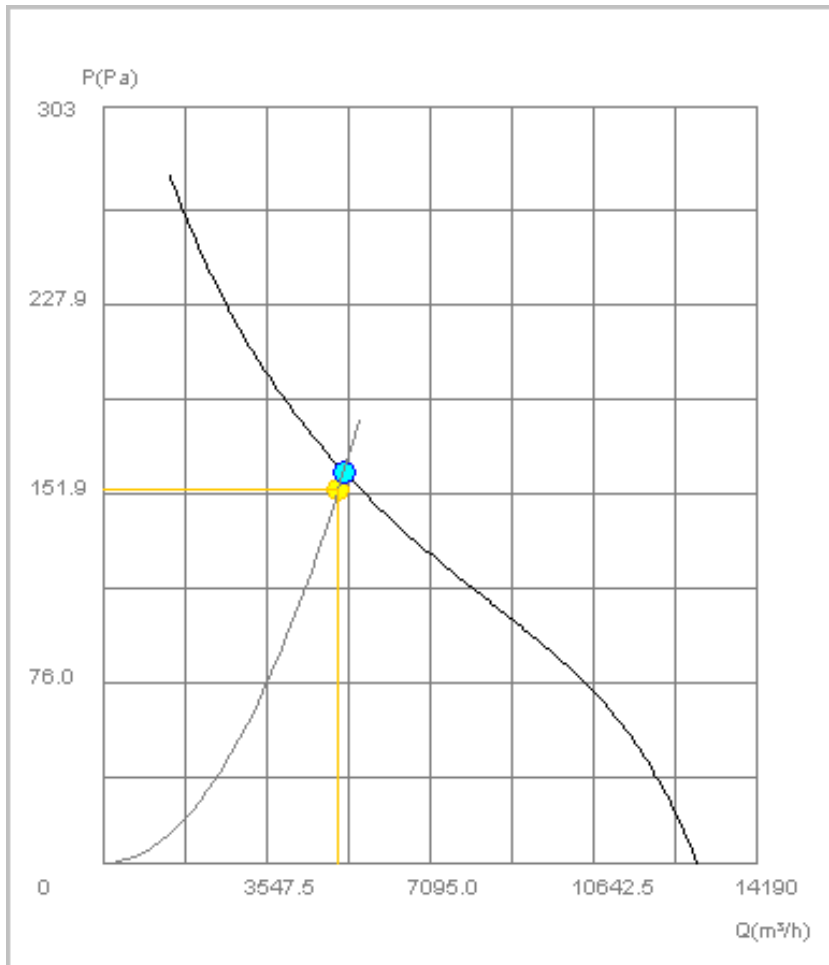


A	B	C	D	E_CORTA	E_LARGA	J	N
660.0	620.0	336.0	560	250.0	400.0	12.0	12x30°

THT-56-4T-1



• Performance curve:



Design point: Q = 5100,00 P = 149,99

Service point: Q = 5222,06 P = 157,26

• Sound Power Spectrum (LwA):

63	125	250	500	1000	2000	4000	8000	Hz
48.0	68.0	76.0	81.0	83.0	80.0	73.0	62.0	dB(A)